



Price List 2011

MERSEN



RoHS

IEC269-2-1
 DIN 57636
 NFC 63210 - 63211
 CEI 269-1-2-2A
 UNE 21103
 VDE 0636-2-1 , 2-2
 DIN 43620



FERRAZ SHAWMUT IS NOW MERSEN
MERSEN

MERSEN
 Expertise, our source of energy

AMP-TRAP

AMP-TRAP 2000

ArcFlash



HeliProtection

PIQ

Smart Spot

TRMOV TECHNOLOGY

Tri-onic

Amp-Trap® OEM Central™ Select-A-Fuse® Surge-Trap® SPD UltraSafe™
 FabFin® Hollowfin® Aquasink® Aquamax® Aquasurf® Aquamax® R-Tools® 3D Heatsink Modeling

Prevent is better than cure " กันไว้ดีกว่าแก้ "

Ferrule Fuses

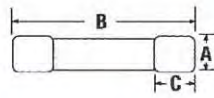
gL, gG, AM 400V to 690V

gL, gG, AM 8x31, 10x38, 14x51, 22x58

OPTION 8 x 31, 10 x 38 INDICATOR

OPTION 14 x 51, 22 x 58 STRIKER

Blown-Fuse Indicator



Dimensions

Fuse Size	A	B	C
8 x 31	8.5	31.5	6.3
10 x 38	10.3	38	10.5
14 x 51	14.3	51	13.8
22 x 58	22.2	58	16.2

Class gL - gG ฟิวส์ป้องกันวงจรทั่วไป						Class AM ฟิวส์หาง สำหรับมอเตอร์					
Size	Amp	Volt	Ref.number without indicator	Pack	ราคา (บาท)	Size	Amp	Volt	Ref.number without indicator	Pack	ราคา (บาท)
8 X 31	0.5	400	P218191J	10	35.-	8 X 31	0.5	400		10	35.-
	1		C218709J				C217168J				
	2		Q219227J				R218193J				
	4		W222958J				S219229J				
	6		A211025J				C222205J				
	8		B213096J				F200749J				
	10		A214613J				W201292J				
	12		R216146J								
	16		P216650J								
	20		F217677J								
25	D218710J										
10 X 38	0.16	500		10	35.-	10 X 38	0.16	500	E214617J	10	35.-
	0.25						M215130J				
	0.5		C211027J				W216150J				
	1		B212061J				F217171J				
	2		D213098J				H218714J				
	4		X213598J				W219232J				
	6		K215128J				F222208J				
	8		D217169J				Z201295J				
	10		S218194J				Y211552J				
	12		W219761J				A213601J				
	16		G200750J				F214618J				
	20		D211028J				X216151J				
	25		E213099J				G217172J				
	32		A214107J				J218715J				
14 X 51	1	690	K218716J	10	70.-	14 X 51	1	690	E213605J	10	90.-
	2		Y219234J				H214114J				
	4		A219765J				K214622J				
	6		H222210J				S215135J				
	8		D222965J				T215642J				
	10		L200754J				Z216659J				
	12		L201812J				M217177J				
	16		A211554J				Q217686J				
	20		Z212588J				P218720J				
	25		C213603J				E219769J				
	32		W216656J				M222214J				
	40		X218198J				Q200758J				
	45						L211035J				
	50		Z219235J				E211558J				
22 X 58	1	690		10	130.-	22 X 58	1	690	M219776J	10	130.-
	2		F219241J				T222220J				
	4		H219772J				Q222976J				
	6		P222216J				Y200765J				
	8		L222972J				N201308J				
	10		T200761J				X201822J				
	12		J201304J				T211042J				
	16		S201818J				M211565J				
	20		P211038J				S212076J				
	25		N212072J				J212597J				
	32		F212594J				V213113J				
	40		J213609J				N213613J				
	50		P214626J				R214122J				
	63		Y215646J				C215650J				
80	Q217180J	H216667J									
100	E218205J	Y217693J									
125	J219773J	J218209J									

NH Fuses (Plain Blades)
gG 400V, 500V, 690V
aM 500V, 690V

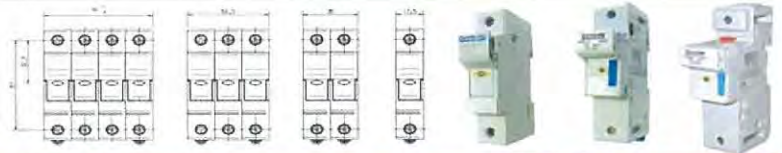
double indicator,
contact blades, complying
with DIN VDE 0636 Part 201
and IEC 60269-2-1



Class gG - gG ฟิวส์ป้องกันวงจรทั่วไป							
Size	Amp	Volt	Ref.number	Pack	ราคา (บาท)		
000 / C00	2	500	B211946C	3	370.-		
	4		M212462C				
	6		D213995C				
	10		B219651C	9	270.-		
	16		K222097H				
	20		A222847H				
	25		E201185H				
	32		Z211438H				
	35		C211947H				
	40		N212463H				
	50		T212974H				
	63		E213996H				
	80		Y216543H				
	100		B219122H				
	125		R201863C			3	370.-
	160		P211084C				
6	H213148C	3	590.-				
10	G214159C						
16	Q215179C						
20	R215686C						
25	Y216198C						
32	W216702C						
35	J217220C						
40	P217731C						
50	Z218246C						
63	N218765C						
80	C219284C						
100	D219814C						
125	P222492C						
160	F223013C			3	580.-		
16	M200801C						
20	C201344C						
25	N201860C						
32	L211081C						
35	A211600C						
40	Y212633C						
50	B213648C						
63	L214669C						
80	S215687C						
100	X216703C						
125	V236044						
160	A218247C						
200	P218766C						
224	D219285C	3	670.-				
250	E219815C						
2	25	500	N200802C	3	790.-		
	32		D201345C				
	35		P201861C				
	40		M211082C				
	50		B211601C				
	63		Z212634C				
	80		C213649C				
	100		M214670C				
	125		T215688C				
	160		Y216704C				
	200		R217733C				
	224		Q218767C				
	250		R222494C				
	315		E201346C				
	355		Q201862C			3	820.-
	400		N211083C				
3	250	500	C211602A	1	1,430.-		
	300		A212635A				
	315		L213151A				
	355		K214162A				
	400		T215182A		1	1,600.-	
	425		B216201A				
	450		Z216705A				
	500		M217223A				
4	630	500	S217734A	1	8,600.-		
	400		A216039				
	500		X216542				
	630		W217576				
	800		E218090A				
	1000		H201694A			1	9,400.-
1250	C213994A						

Class AM ฟิวส์หน่วงสำหรับมอเตอร์							
Size	Amp	Volt	Ref.number	Pack	ราคา (บาท)		
000 / C00	2	500	K232493C	3	440.-		
	4		L232494C				
	6		M232495C				
	10		N232496C				
	16		P232497C				
	20		Q232498C				
	25		R232499C				
	32		S232500C				
	35		T232501C				
	40		V232502C				
	50		W232503C				
	63		X232504C				
	80		C227863C				
	100		Y232505C			3	390.-
	125		Z232506C				
	160		J227869C			3	580.-
6	H213148C	3	700.-				
10	G214159C						
16	Q215179C						
20	R215686C						
25	Y216198C						
32	W216702C						
35	J217220C						
40	P217731C						
50	Z218246C						
63	N218765C						
80	C219284C						
100	D219814C						
125	P222492C						
160	F223013C			3	760.-		
16	M200801C						
20	C201344C						
25	N201860C						
32	L211081C						
35	A211600C						
40	Y212633C						
50	B213648C						
63	L214669C						
80	S215687C						
100	X216703C						
125	V236044						
160	A218247C						
200	P218766C						
224	D219285C	3	760.-				
250	E219815C						
2	25	500	N200802C	3	790.-		
	32		D201345C				
	35		P201861C				
	40		M211082C				
	50		B211601C				
	63		Z212634C				
	80		C213649C				
	100		M214670C				
	125		T215688C				
	160		Y216704C				
	200		R217733C				
	224		Q218767C				
	250		R222494C				
	315		E201346C				
	355		Q201862C			3	820.-
	400		N211083C				
3	250	500	C211602A	1	1,430.-		
	300		A212635A				
	315		L213151A				
	355		K214162A				
	400		T215182A		1	1,600.-	
	425		B216201A				
	450		Z216705A				
	500		M217223A				
4	630	500	S217734A	1	8,600.-		
	400		A216039				
	500		X216542				
	630		W217576				
	800		E218090A				
	1000		H201694A			1	9,400.-
1250	C213994A						

IEC General Purpose Fuses
French Ferrule Fuses
MODULOSTAR Series



MODULOSTAR FUSE HOLDERS

Type	Amp	Ref. No.	Designation	Size	Pack	ราคา (บาท)
CMS81	25	X305000	Modulo Star fuse holders CMS8 1P	8 X 31	12	210.-
CMS82		Z305002	Modulo Star fuse holders CMS8 2P		6	520.-
CMS83		A305003	Modulo Star fuse holders CMS8 3P		4	740.-
CMS84		C305005	Modulo Star fuse holders CMS8 4P		3	960.-
CMS101	32	T305020	Modulo Star fuse holders CMS10 1P	10 X 38	12	150.-
CMS102		W305022	Modulo Star fuse holders CMS10 2P		6	510.-
CMS103		X305023	Modulo Star fuse holders CMS10 3P		4	720.-
CMS104		Z305025	Modulo Star fuse holders CMS10 4P		3	940.-
CMS101I		A305026	Modulo Star fuse holders CMS10 C/I Lamp 1P		12	480.-
CMS141	50	A331016	Modulo Star fuse holders CMS14 1P	14 X 51	6	460.-
CMS142		R331031	Modulo Star fuse holders CMS14 2P		3	980.-
CMS143		S331032	Modulo Star fuse holders CMS14 3P		2	1,480.-
CMS144		F331021	Modulo Star fuse holders CMS14 4P		1	2,010.-
CMS221	125	T331079	Modulo Star fuse holders CMS22 1P	22 X 58	6	650.-
CMS222		Q331122	Modulo Star fuse holders CMS22 2P		3	1,370.-
CMS223		E331135	Modulo Star fuse holders CMS22 3P		2	2,080.-
CMS224		Q331099	Modulo Star fuse holders CMS22 4P		1	2,790.-



FUSE BASES FOR HRC FUSE-LINKS NH 690V

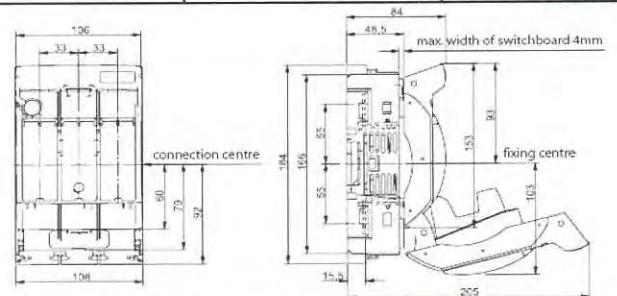
Size	Poles	Ref. No.	Designation	Pack	ราคา (บาท)
00	1	F215170	NH FUSE BASE	3	600.-
00		Z217211	NH FUSE BASE CERAMIC / เซรามิค		700.-
0		B213142	NH FUSE BASE		650.-
1		E218757	NH FUSE BASE		1,270.-
2		F201853	NH FUSE BASE		1,550.-
3		W213643	NH FUSE BASE		4,050.-
4	W223004	NH FUSE BASE	10,750.-		
00	3	W229122	NH FUSE BASE	1	1,400.-
00		D201851	NH FUSE BASE CERAMIC / เซรามิค		2,750.-
0		G217724	NH FUSE BASE		3,360.-
1		Y223006	NH FUSE BASE		4,850.-
2		B212107	NH FUSE BASE		5,600.-
3		H215172	NH FUSE BASE		13,300.-

MICROSWITCH SYSTEM

MICROSWITCH INDICATION SYSTEM FOR NH FUSES AS PER DIN 43653 AND DIN 43620 TERMINALS



Reference No.	Designation	Pack	ราคา (บาท)
F210156	MS 4L 2-5 B6 +PRES.	3	1,800.-



NH Fuse - switch - disconnectors MULTIBLOC

Reference No.	Designation	Pack	ราคา (บาท)
H229294	NH 00 160A 3P screw M8 both sides	1	5,020.-

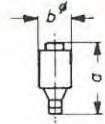
**DIN Fuses
D - Type
DIAZED**

**D Fuse System
2 - 200 A , 500 V , 690 V**

**IEC 60269 parts 1 , 3 and 3 - 1
DIN VDE 0636 Parts 10 , and 31**



Dimensions



D Fuse-links

Cat Number	a ₁	bX
NDZ	50	12
DII	50	22
DIII	50	27
DIV	63	37
DV	65	45

Diazied gG - NDZ, DII, DIII

Size	AMP	Voltage	Ref.number	ราคา (บาท)
NDZ	E16	500	2	W212539
			4	G213055
			6	C213557
			10	B214062
			16	J214575
			20	Q215087
DII	E27	500	25	Q215593
			2	Z219718
			4	G222163
			6	B222917
			10	K200707
			16	K201765
DIII	E33	500	20	A211508
			25	X212540
			35	C214063
			50	K214576
			63	R215088

**DIN Fuses
DO - Type
NEOZED**

**IEC VDE 0636 Part 41
DIN VDE 0636 Part 301**



Germany



Austria



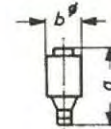
Denmark



Norway



**NEOZED
Sicherungseinsätze**



Referenz Nummer	Catalog Number	a	b
D01		36	11
D02		36	15
D03		43	22

Neozed gG - D01, D02

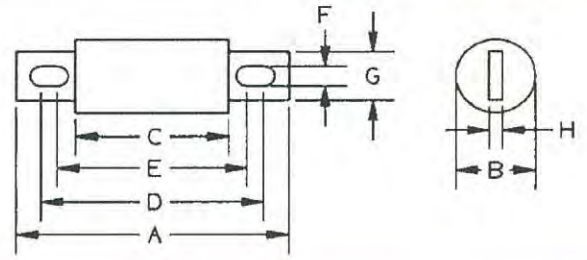
Size	AMP	Voltage	Ref.number	ราคา (บาท)
D01	E14	400 / 250V	2	T214676
			4	W200809
			6	B215695
			10	W211090
			16	R223023
D02	E18	400 / 250V	20	B217742
			25	W213160
			35	R219826
			50	D215191
			63	C201873

Fuse Bases D01 , D02

Size	AMP	Voltage	Ref.number	ราคา (บาท)
D01	16	400 / 250V	FUSEBASED01	
D02	63		FUSEBASED02	



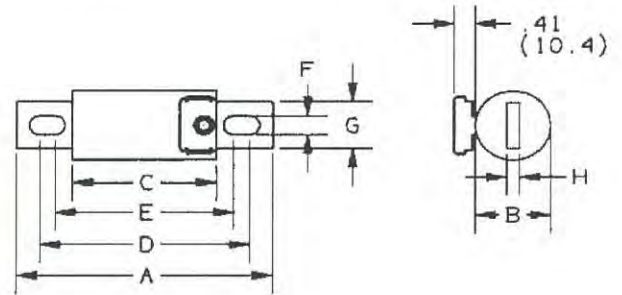
**American Round Fuses
Form 101 Range
A50QS
Semiconductor Protection Fuses**



Dimensions (mm)

Catalog Number	Type	A	B	C	D	E	F	G	H
A50QS35 to 100	4	92.2	25.4	54.1	74.7	69.6	7.9	19.1	3.3
A50QS125 to 200	4	92.2	31.0	54.1	74.7	71.4	7.9	25.4	4.8
A50QS225 to 400	4	110	38.1	53.1	86.6	70.6	10.4	25.4	6.4
A50QS450 to 600	4	114	50.8	56.4	89.7	73.9	10.4	38.1	6.4

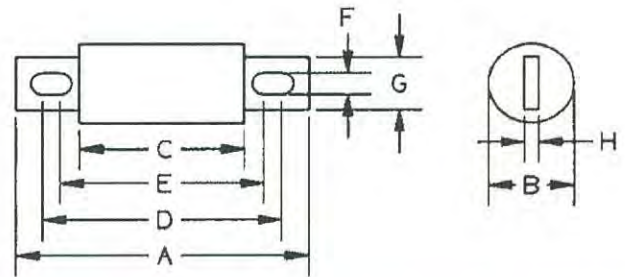
**American Round Fuses
Form 101 Range
A50P
Semiconductor Protection Fuses**



Dimensions (mm)

Catalog Number	Type	A	B	C	D	E	F	G	H
A50P10 to 30	1	50.8	14.2	-	-	-	-	-	-
A50P35 to 60	1DS	57.2	20.6	-	-	-	-	-	-
A50P35 to 60	4	81.0	20.6	41.4	63.5	57.2	8.6	18.3	3.3
A50P70 to 100	4	92.2	25.4	54.1	74.7	71.4	7.9	19.1	3.3
A50P125 to 200	4, 4TA	92.2	31.0	54.1	74.7	71.4	7.9	25.4	4.8
A50P225 to 400	4, 4TA	110	38.1	53.1	86.6	70.6	10.4	25.4	6.4
A50P450 to 600	4, 4TA	114	50.8	56.4	89.7	73.9	10.4	38.1	6.4
A50P700 to 800	4, 4TA	164	63.5	56.4	118	109	13.5	50.8	9.7
A50P900 to 1200	4	177	76.2	81.8	126	***	16.0	60.5	11.1

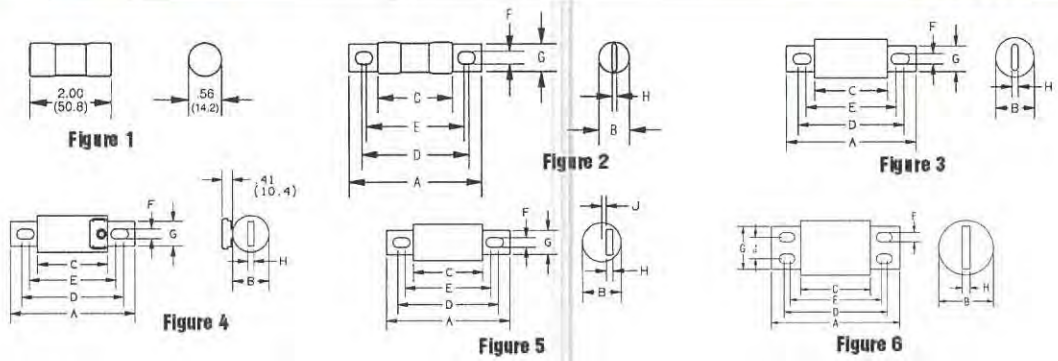
**American Round Fuses
Form 101 Range
A70QS
Semiconductor Protection Fuses**



Dimensions (mm)

Catalog Number	Type	A	B	C	D	E	F	G	H
A70QS35 to 100	4	111	25.4	73	93.6	88.9	7.9	19	3.2
A70QS125 to 200	4	111	31	73	93.6	90.5	7.9	25.4	4.8
A70QS125 to 200	4K	129	31	73	106	88	10.3	25.4	4.8
A70QS225 to 400	4	129	38.1	72.2	106	89.7	10.3	38.1	6.4
A70QS450 to 600	4	129	50.8	72.2	106	89.7	10.3	38.1	6.4
A70QS450 to 600	4K	180	50.8	72.2	156	89.7	13.5	38.1	6.4
A70QS700 to 800	4	180	63.5	72.2	134	125	13.5	50.8	9.5

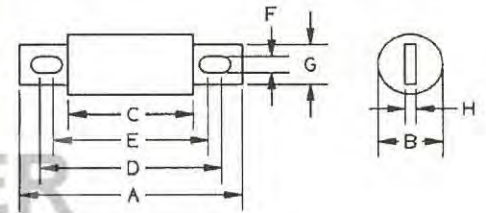
**American Round Fuses
Form 101 Range
A70P
Semiconductor Protection Fuses**



Dimensions (mm)

Catalog Number	Type	FIG	A	B	C	D	E	F	G	H	J	K
A70P10 to 30	1	1	50.8	14.2	-	-	-	-	-	-	-	-
A70P10 to 30	4	2	73.2	14.2	47.8	63.5	-	6.9	10.4	-	-	-
A70P35 to 60	4,4TA,4TI	3,4	111	25.4	73.2	93.7	90.4	7.9	19.1	1.5	-	-
A70P70 to 100	4,4TA,4TI	3,4	111	31	73.2	93.7	90.4	7.9	25.4	4.8	-	-
A70P125 to 200	4,4TA,4TI	3,4	129	38.1	72.1	106	89.7	10.4	25.4	6.4	-	-
A70P225 to 400	4,4TA,4TI	3,4	129	50.8	72.1	106	89.7	10.4	38.1	6.4	-	-
A70P450 to 600	4,4TA,4TI	3,4	180	63.5	72.1	133	125	13.5	50.8	9.7	-	-
A70P700 to 800	4,4TI	5	173	73.2	84.1	135	-	16	50.8	9.7	7.9	-
A70P900 to 1000	4,4TI	6	193	88.9	97.5	152	133	16	69.9	12.7	35.1	-
A70P1200	4	7	275.4	114.3	97.6	173.7	148.3	237.3	243.6	88.9	15.9	19.1

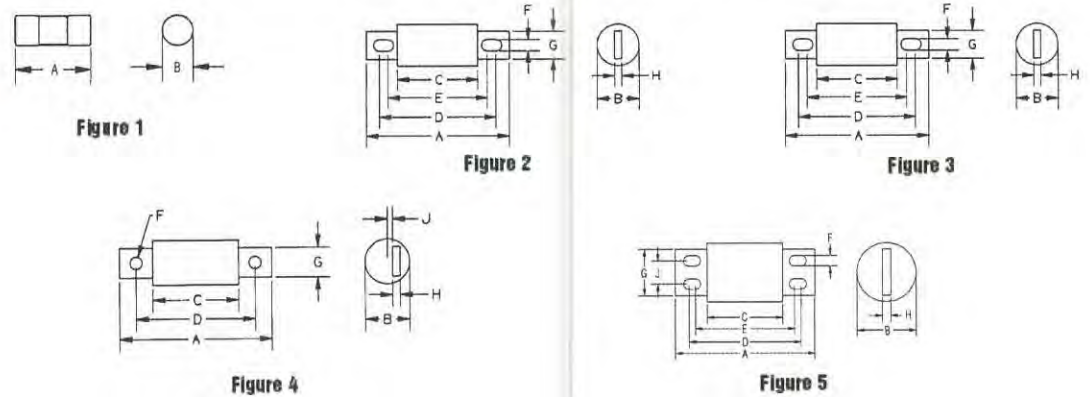
**American Round Fuses
Form 101 Range
A70Q
Semiconductor Protection Fuses**



Dimensions (mm)

Catalog Number	Type	A	B	C	D	E	F	G	H
A70Q35 to 60	4	111	31	49.8	93.7	73.9	8.6	25.4	4.8
A70Q70 to 100	4	111	31	49.8	93.7	73.9	10.4	25.4	4.8
A70Q125 to 200	4	129	38.1	49.8	106	73.9	10.4	25.4	6.4
A70Q250 to 400	4	129	50.8	49.8	102	74.7	14.2	38.1	6.4
A70Q450 to 600	4	180	63.5	49.8	145	82.6	14.2	50.8	9.7

**American Round Fuses
Form 101 Range
A100P
Semiconductor Protection Fuses**



Dimensions (mm)

Catalog Number	Type	FIG	A	B	C	D	E	F	G	H	J
A100P15 to 30	1	1	66.8	14.2	-	-	-	-	-	-	-
A100P35 to 60	4, 4TI	2	127	25.4	173	109	106	7.9	19.1	3.3	-
A100P65 to 100	4, 4TI	2	127	31	173	109	106	7.9	25.4	4.8	-
A100P125 to 200	4, 4TI	2	145	38.1	88.1	121	106	10.4	25.4	6.4	-
A100P225 to 400	4, 4TI	2	145	50.8	88.1	121	106	10.4	25.4	6.4	-
A100P500 to 600	4, 4TI	3	196	63.5	88.1	149	141	13.5	50.8	9.7	-
A100P650 to 800	4, 4TI	4	189	73.2	100	151	-	16	50.8	9.7	7.9
A100P1000	4	5	209	88.9	114	167	148	16	69.9	12.7	35.1

TR and TRS (Class RK5 TD)

Applications Motor Circuits Transformer
Mains Service Entrance Equipment
Feeders General - purpose Protection
Branch Circuits



* Note : Optional blown fuse visual indication available. To order, place "ID" at the end of the catalog number
Example : # TRS30RID * Not available with optional blow fuse indicator.

250 V.

Ampere Rating (A)	Catalog Number 250V	ขนาดบรรจุ	ราคา (บาท)
1/10	TR1/10R	10	390.-
15/100	TR15/100R		
2/10	TR2/10R		
3/10	TR3/10R		
4/10	TR4/10R		
1/2	TR1/2R		
6/10	TR6/10R		
8/10	TR8/10R		
1	TR1R		
1 - 1/8	TR1 - 1/8R		
1 - 1/4	TR1 - 1/4R		
1 - 4/10	TR1 - 4/10R		
1 - 6/10	TR1 - 6/10R		
1 - 8/10	TR1 - 8/10R		
2	TR2R		
2 - 1/4	TR2 - 1/4R		
2 - 1/2	TR2 - 1/2R		
2 - 8/10	TR2 - 8/10R		
3	TR3R		
3 - 2/10	TR3 - 2/10R		
3 - 1/2	TR3 - 1/2R		
4	TR4R		
4 - 1/2	TR4 - 1/2R		
5	TR5R		
5 - 6/10	TR5 - 6/10R		
6	TR6R		
6 - 1/4	TR6 - 1/4R		
7	TR7R		
8	TR8R		
9	TR9R		
10	TR10R		
12	TR12R		
15	TR15R		
17 - 1/2	TR17 - 1/2R		
20	TR20R		
25	TR25R		
30	TR30R		
35	TR35R		
40	TR40R		
45	TR45R		
50	TR50R		
60	TR60R		
70	TR70R		
75	TR75R		
80	TR80R		
90	TR90R		
100	TR100R		
110	TR110R		
125	TR125R		
150	TR150R		
175	TR175R		
200	TR200R		
225	TR225R		
250	TR250R		
300	TR300R		
350	TR350R		
400	TR400R		
450	TR450R		
500	TR500R		
600	TR600R		

600 V.

Ampere Rating (A)	Catalog Number 600V	ขนาดบรรจุ	ราคา (บาท)
1/10	TRS1/10R	10	850.-
15/100	TRS15/100R		
2/10	TRS2/10R		
3/10	TRS3/10R		
4/10	TRS4/10R		
1/2	TRS1/2R		
6/10	TRS6/10R		
8/10	TRS8/10R		
1	TRS1R		
1 - 1/8	TRS1 - 1/8R		
1 - 1/4	TRS1 - 1/4R		
1 - 4/10	TRS1 - 4/10R		
1 - 6/10	TRS1 - 6/10R		
1 - 8/10	TRS1 - 8/10R		
2	TRS2R		
2 - 1/4	TRS2 - 1/4R		
2 - 1/2	TRS2 - 1/2R		
2 - 8/10	TRS2 - 8/10R		
3	TRS3R		
3 - 2/10	TRS3 - 2/10R		
3 - 1/2	TRS3 - 1/2R		
4	TRS4R		
4 - 1/2	TRS4 - 1/2R		
5	TRS5R		
5 - 6/10	TRS5 - 6/10R		
6	TRS6R		
6 - 1/4	TRS6 - 1/4R		
7	TRS7R		
8	TRS8R		
9	TRS9R		
10	TRS10R		
12	TRS12R		
15	TRS15R		
17 - 1/2	TRS17 - 1/2R		
20	TRS20R		
25	TRS25R		
30	TRS30R		
35	TRS35R		
40	TRS40R		
45	TRS45R		
50	TRS50R		
60	TRS60R		
70	TRS70R		
75	TRS75R		
80	TRS80R		
90	TRS90R		
100	TRS100R		
110	TRS110R		
125	TRS125R		
150	TRS150R		
175	TRS175R		
200	TRS200R		
225	TRS225R		
250	TRS250R		
300	TRS300R		
350	TRS350R		
400	TRS400R		
450	TRS450R		
500	TRS500R		
600	TRS600R		

OT, OTS (Class K - 5)

Applications Feeders Resistive Heating
Branch Circuits Residential and Small Commercial Installations



250 V.

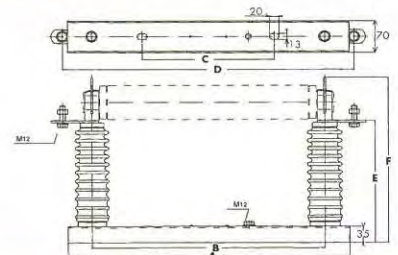
Ampere Rating (A)	Catalog Number 250V	PACK	ราคา (บาท)
1	OT1	10	120.-
2	OT2		
3	OT3		
4	OT4		
5	OT5		
6	OT6		
7	OT7		
8	OT8		
10	OT10		
12	OT12		
15	OT15	5	170.-
20	OT20		
25	OT25		
30	OT30		
35	OT35		
40	OT40	1	1,710.-
45	OT45		
50	OT50		
60	OT60		
65	OT65		
70	OT70		
75	OT75		
80	OT80		
90	OT90		
100	OT100		
110	OT110	1	3,150.-
125	OT125		
150	OT150		
175	OT175		
200	OT200		
225	OT225	1	4,750.-
250	OT250		
300	OT300		
350	OT350		
400	OT400		
450	OT450		
500	OT500		
600	OT600		

600 V.

Ampere Rating (A)	Catalog Number 600V	PACK	ราคา (บาท)
1	OTS1	10	480.-
2	OTS2		
3	OTS3		
4	OTS4		
5	OTS5		
6	OTS6		
8	OTS8		
10	OTS10		
12	OTS12		
15	OTS15		
20	OTS20		
25	OTS25		
30	OTS30		
35	OTS35		
40	OTS40	1	2,980.-
45	OTS45		
50	OTS50		
60	OTS60		
70	OTS70		
75	OTS75		
80	OTS80		
90	OTS90		
100	OTS100		
110	OTS110		
125	OTS125		
150	OTS150		
175	OTS175		
200	OTS200		
225	OTS225	1	9,350.-
250	OTS250		
300	OTS300		
350	OTS350		
400	OTS400		
450	OTS450		
500	OTS500		
600	OTS600		

BASE MEDIUM VOLTAGE FUSE

DIN FUSE 7.2 KV - 36 KV



Voltage (KV)	Size	Use	Reference NO.	Catalog Number	Pack	ราคา (บาท)
7,2	SI 7,2 / 192	Indoor	G209421	SI72V192	1	11,400.-
12	SI 12 / 292	Indoor	H209422	SI120V292		11,800.-
17,5	SI 17,5 / 292	Indoor	J209423	SI175V292		12,400.-
24	SI 24 / 442	Indoor	K209424	SI240V442		13,200.-
36	SI 36 / 537	Indoor	M209426	SI360V537		14,360.-

OFFSET BOLTED TAG FUSES LINKS (A - TYPE)

BS 88 fuses comply with IEC 60269 standards. They are tested under a voltage at least 10% higher than the fuse rated voltage.



Rating (A)	Catalog Number	BS Standard	IEC Standard	Designation	Pack	ราคา (บาท)
2	BNIT42V2	BS88 - 2	IEC60269 - 2	A1	10	
4	BNIT42V4	BS88 - 2	IEC60269 - 2	A1	10	
6	BNIT42V6	BS88 - 2	IEC60269 - 2	A1	10	
10	BNIT42V10	BS88 - 2	IEC60269 - 2	A1	10	
16	BNIT42V16	BS88 - 2	IEC60269 - 2	A1	10	
20	BNIT42V20	BS88 - 2	IEC60269 - 2	A1	10	
25	BNIT42V25	BS88 - 1	IEC60269 - 1	A1	10	
32	BNIT42V32	BS88 - 1	IEC60269 - 1	A1	10	
25	BNIT42V20M25	BS88 - 2	IEC60269 - 2	A1	10	
32	BNIT42V20M32	BS88 - 2	IEC60269 - 2	A1	10	



Rating (A)	Catalog Number	BS Standard	IEC Standard	Designation	Pack	ราคา (บาท)
2	BTIA42V2	BS88 - 2	IEC60269 - 2	A2C	10	
4	BTIA42V4	BS88 - 2	IEC60269 - 2	A2C	10	
6	BTIA42V6	BS88 - 2	IEC60269 - 2	A2C	10	
10	BTIA42V10	BS88 - 2	IEC60269 - 2	A2C	10	
16	BTIA42V16	BS88 - 2	IEC60269 - 2	A2C	10	
20	BTIA42V20	BS88 - 2	IEC60269 - 2	A2C	10	
25	BTIA42V25	BS88 - 2	IEC60269 - 2	A2C	10	
32	BTIA42V32	BS88 - 2	IEC60269 - 2	A2C	10	
40	BTIA42V32M40	BS88 - 2	IEC60269 - 2	A2	10	
50	BTIA42V32M50	BS88 - 2	IEC60269 - 2	A2	10	
63	BTIA42V32M63	BS88 - 2	IEC60269 - 2	A2	10	



Rating (A)	Catalog Number	BS Standard	IEC Standard	Designation	Pack	ราคา (บาท)
40	BTIS42V40	BS88 - 2	IEC60269 - 2	A3C	10	
50	BTIS42V50	BS88 - 2	IEC60269 - 2	A3C	10	
63	BTIS42V63	BS88 - 2	IEC60269 - 2	A3C	10	
80	BTIS42V80	BS88 - 1	IEC60269 - 1	A3	10	
100	BTIS42V100	BS88 - 1	IEC60269 - 1	A3	10	
80	BTIS42V63M80	BS88 - 2	IEC60269 - 2	A3	10	
100	BTIS42V63M100	BS88 - 2	IEC60269 - 2	A3	10	



Rating (A)	Catalog Number	BS Standard	IEC Standard	Designation	Pack	ราคา (บาท)
32	BTCP42V32	BS88 - 2	IEC60269 - 2	A4C	5	
40	BTCP42V40	BS88 - 2	IEC60269 - 2	A4C	5	
50	BTCP42V50	BS88 - 2	IEC60269 - 2	A4C	5	
63	BTCP42V63	BS88 - 2	IEC60269 - 2	A4C	5	
80	BTCP42V80	BS88 - 2	IEC60269 - 2	A4C	5	
100	BTCP42V100	BS88 - 2	IEC60269 - 2	A4C	5	
125	BTCP42V100M125	BS88 - 2	IEC60269 - 2	A4	5	
160	BTCP42V100M160	BS88 - 2	IEC60269 - 2	A4	5	
200	BTCP42V100M200	BS88 - 2	IEC60269 - 2	A4	5	



Rating (A)	Catalog Number	BS Standard	IEC Standard	Designation	Pack	ราคา (บาท)
125	BTFP42V125	BS88 - 1	IEC60269 - 1	A4X	5	
160	BTFP42V160	BS88 - 1	IEC60269 - 1	A4X	5	
200	BTFP42V200	BS88 - 1	IEC60269 - 1	A4X	5	
250	BTFP42V200M250	BS88 - 1	IEC60269 - 1	A4X	5	
315	BTFP42V200M315	BS88 - 1	IEC60269 - 1	A4X	5	



OFFSET BOLTED TAG FUSES LINKS (B , C , F - TYPE)

BS 88 fuses comply with IEC 60269 standards. They are tested under a voltage at least 10% higher than the fuse rated voltage.



Rating (A)	Catalog Number	BS Standard	IEC Standard	Designation	Pack	ราคา (บาท)
32	BTBC42V32	BS88 - 2	IEC60269 - 2	B1C	10	
40	BTBC42V40	BS88 - 2	IEC60269 - 2	B1C	10	
50	BTBC42V50	BS88 - 2	IEC60269 - 2	B1C	10	
63	BTBC42V63	BS88 - 2	IEC60269 - 2	B1C	10	
80	BTC42V80	BS88 - 2	IEC60269 - 2	B1C	5	
100	BTC42V100	BS88 - 2	IEC60269 - 2	B1C	5	
125	BTC42V100M125	BS88 - 2	IEC60269 - 2	B1	5	
160	BTC42V100M160	BS88 - 2	IEC60269 - 2	B1	5	
200	BTC42V100M200	BS88 - 2	IEC60269 - 2	B1	5	



125	BTF42V125	BS88 - 2	IEC60269 - 2	B2C	5	
160	BTF42V160	BS88 - 2	IEC60269 - 2	B2C	5	
200	BTF42V200	BS88 - 2	IEC60269 - 2	B2C	5	
250	BTF42V200M250	BS88 - 2	IEC60269 - 2	B2	1	
315	BTF42V200M315	BS88 - 2	IEC60269 - 2	B2	1	



250	BTKF42V250	BS88 - 2	IEC60269 - 2	B3	1	
315	BTKF42V315	BS88 - 2	IEC60269 - 2	B3	1	
400	BTKF42V315M400	BS88 - 1	IEC60269 - 1	B3	1	



250	BTKM42V250	BS88 - 1	IEC60269 - 1	B3X	1	
315	BTKM42V315	BS88 - 1	IEC60269 - 1	B3X	1	



355	BTMF42V355	BS88 - 2	IEC60269 - 2	B4	1	
400	BTMF42V400	BS88 - 2	IEC60269 - 2	B4	1	



355	BTM42V355	BS88 - 2	IEC60269 - 2	C1	1	
400	BTM42V400	BS88 - 2	IEC60269 - 2	C1	1	



450	BTTM42V450	BS88 - 2	IEC60269 - 2	C2	1	
500	BTTM42V500	BS88 - 2	IEC60269 - 2	C2	1	
560	BTTM42V560	BS88 - 2	IEC60269 - 2	C2	1	
630	BTTM42V630	BS88 - 2	IEC60269 - 2	C2	1	

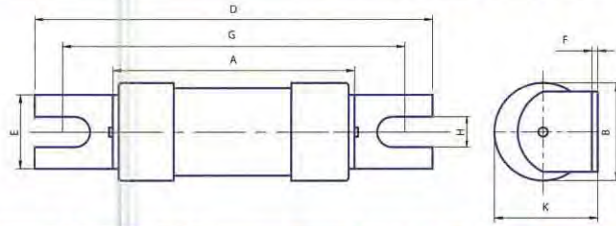


670	BTLM42V670	BS88 - 2	IEC60269 - 2	C3	1	
710	BTLM42V710	BS88 - 2	IEC60269 - 2	C3	1	
750	BTLM42V750	BS88 - 2	IEC60269 - 2	C3	1	
800	BTLM42V800	BS88 - 2	IEC60269 - 2	C3	1	



2	BNS42V2	BS88 - 6	IEC60269 - 2	F1	10	
4	BNS42V4	BS88 - 6	IEC60269 - 2	F1	10	
6	BNS42V6	BS88 - 6	IEC60269 - 2	F1	10	
10	BNS42V10	BS88 - 6	IEC60269 - 2	F1	10	
16	BNS42V16	BS88 - 6	IEC60269 - 2	F1	10	
20	BNS42V20	BS88 - 6	IEC60269 - 2	F1	10	
25	BNS42V25	BS88 - 6	IEC60269 - 2	F1	10	
32	BNS42V32	BS88 - 6	IEC60269 - 2	F1	10	
25	BNS42V20M25	BS88 - 6	IEC60269 - 2	F1	10	
32	BNS42V20M32	BS88 - 6	IEC60269 - 2	F1	10	

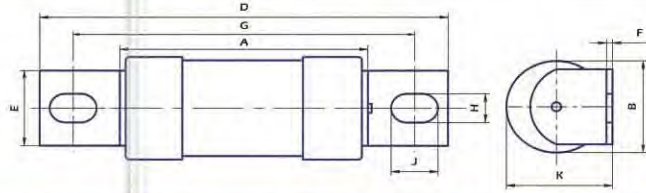
10	BES42V10	BS88 - 6	IEC60269 - 2	F2	10	
16	BES42V16	BS88 - 6	IEC60269 - 2	F2	10	
20	BES42V20	BS88 - 6	IEC60269 - 2	F2	10	
25	BES42V25	BS88 - 6	IEC60269 - 2	F2	10	
32	BES42V32	BS88 - 6	IEC60269 - 2	F2	10	
40	BES42V40	BS88 - 6	IEC60269 - 2	F2	10	
50	BES42V50	BS88 - 6	IEC60269 - 2	F2	10	
63	BES42V63	BS88 - 6	IEC60269 - 2	F2	10	



FORM " A " TYPE

Dimensions (mm)

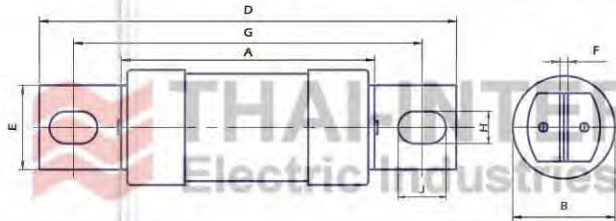
Pos. NO.	Fuse type	Current Rating (A)	A max	B max	D max	E max	F nom	G nom	H nom	K max
01	BNIT	2,4,6,10,16,20,25,32,20M25,20M32	35.5	13.5	56.0	11.2	0.8	44.5	4.8	14.5
02	BTIS	40,50,63	57.0	21.9	88.5	13.0	1.2	73.0	5.5	23.5
03	BTIS	80,100,63M80,63M100	57.0	26.9	88.5	13.0	1.2	73.0	5.5	28



FORM " A " TYPE

Dimensions (mm)

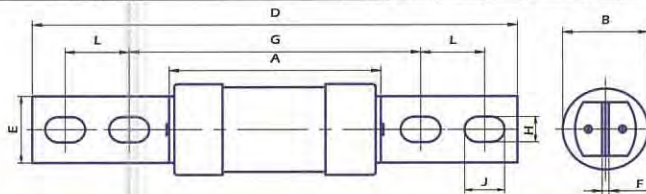
Pos. NO.	Fuse type	Current Rating (A)	A max	B max	D max	E max	F nom	G nom	J nom	H nom	K nom
01	BTIA	2,4,6,10,16,20,25,32	35.5	13.5	86.0	9.2	0.8	73.0	8.0	5.5	14.5
02	BTIA	32M40,32M50,32M63	56.5	21.9	86.0	9.2	1.2	73.0	8.0	5.5	23.5
03	BTCP	32,40,50,63,80,100	59.5	26.9	111.0	19.5	2.4	94.0	11.0	8.7	28.5
04	BTCP	100M125,100M160,100M200	67.0	36.1	111.0	19.5	3.2	94.0	11.0	8.7	38.5
05	BTFP	125,160,200	67.0	36.1	111.0	19.5	3.2	94.0	11.0	8.7	38.5
06	BTFP	200M250,200M315	76.0	41.9	111.0	19.5	3.2	94.0	11.0	8.7	44.0



FORM " B " TYPE

Dimensions (mm)

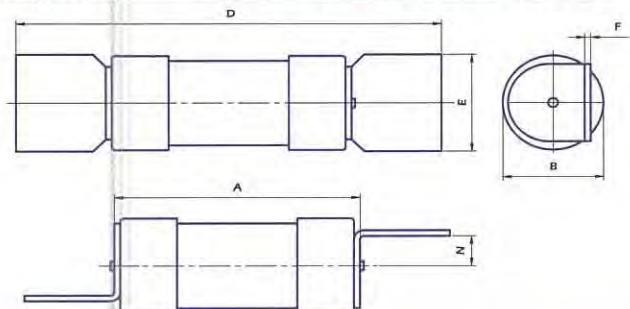
Pos. NO.	Fuse type	Current Rating (A)	A max	B max	D max	E max	F nom	G nom	H nom	J nom
01	BTC/BTBC	32,40,50,63,80,100	57.0	26.9	137.0	19.5	3.2	111.0	8.7	14.0
02	BTC	100M125,100M160,100M200	63.0	36.1	137.0	19.5	3.2	111.0	8.7	14.0
03	BTF	125A,160A,200A	63.0	36.1	137.0	19.5	3.2	111.0	8.7	14.0
04	BTF	200M250,200M315	73.0	41.9	138.0	19.5	3.2	111.0	8.7	14.0
05	BTKF	250 , 315	73.0	41.9	138.0	19.5	3.2	111.0	8.7	14.0
06	BTKF	315M400	75.0	59.1	138.0	26.0	4.8	111.0	8.7	14.0
07	BTKM	250 , 315	73.0	41.9	159.0	26.0	3.2	133.0	10.3	14.0
08	BTMF	355 , 400	75.0	59.1	138.0	26.0	4.8	111.0	8.7	14.0



FORM " C " TYPE

Dimensions (mm)

Pos. NO.	Fuse type	Current Rating (A)	A max	B max	D max	E max	F nom	G nom	H nom	J nom	L nom
01	BTM	355 , 400	75.0	59.1	212.0	26.0	4.8	133.0	10.3	16.0	25.4
02	BTTM	450,500,560,630	83.0	74.4	212.0	26.0	6.3	133.0	10.3	16.0	25.4
03	BTLM	670,710,750,800	86.0	82.4	212.0	26.0	9.5	133.0	10.3	16.0	25.4

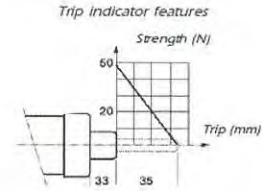
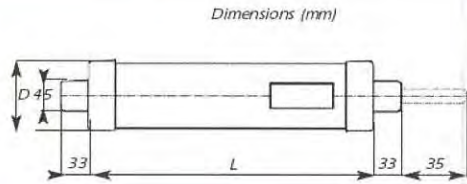


FORM " F " TYPE

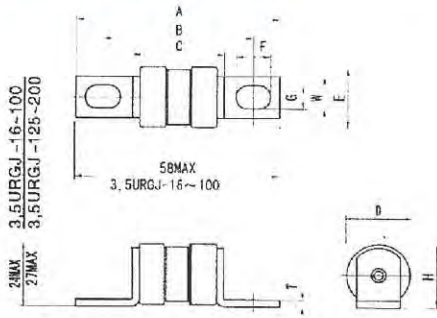
Dimensions (mm)

Pos. NO.	Fuse type	Current Rating (A)	A max	B max	D max	E max	F nom	N max
01	BNS	2,4,6,10,16,20,25,32,20M25,20M32	35.5	13.5	61.0	12.7	0.8	3.5
02	BES	10,16,20,25,32,40,50,63	39.5	17.1	69.0	15.2	1.2	3.5

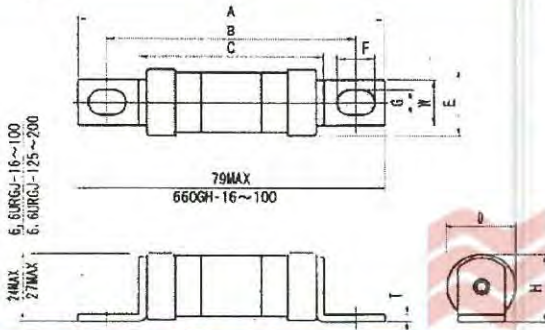
Medium Voltage Fuse; European fuses
DIN fuse 7.2 KV - 36 KV
Complies with IEC 282 - 1



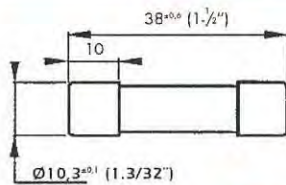
Rate Voltage Un (KV)	Rated Current (A)	Dimension		Breaking capacity (KA)	Reference Number	PACK	ثمن (رطل)								
Un (KV)	(A)	L (mm.)	D (mm.)	capacity (KA)	Number	PACK	ثمن (رطل)								
3 / 7.2	2	192	56	63	N1000098A	1	5,200.-								
	4				P1000099A										
	6.3				S209293A										
	10				T209294A										
	16				V209295A										
	20				W209296A										
	25				X209297A										
	31.5				Y209298A										
	40				Z209299A										
	50				A209300A										
	63				B209301A										
	80				C209302A										
	100				D209303A										
	125				O1000100A										
6 / 12	1	292	56	63	T1000103A	1	5,700.-								
	2				V1000104A										
	4				W1000105A										
	6.3				F209305A										
	10				G209306A										
	16				H209307A										
	20				J209308A										
	25				K209309A										
	31.5				L209310A										
	40				M209311A										
	50				N209312A										
	63				P209313A										
	80				Q209314A										
	100				R209315A										
125	X1000106A														
10 / 17.5	6.3	367	56	63	V1000564A	1	5,700.-								
	10				W1000565A										
	16				X1000566A										
	20				Y1000567A										
	25				Z1000568A										
	31.5				A1000569A										
	40				B1000570A										
	50				C1000571A										
	63				D1000572A										
	80				E1000573A										
100	F1000574A														
10 / 24	1	442	56	63	A1000109A	1	5,400.-								
	2				B1000110A										
	4				C1000111A										
	6.3				S209339A										
	10				T209340A										
	16				V209341A										
	20				W209342A										
	25				X209343A										
	31.5				Y209344A										
	40				Z209345A										
	50				A209346A										
	63				B209347A										
	80				C209348A										
	100				D209349A										
20 / 36	2	537	56	31.5	G1000115A	1	7,100.-								
	4				H1000116A										
	6.3				S209362A										
	10				T209363A										
	16				V209364A										
	20		W209365A												
	25		X209366A												
	31.5		Y209367A	65	20			40	Z209368A	50	J1000117A	63	K1000118A	63	
	40		Z209368A												
	50		J1000117A												
63	K1000118A														
63															



Part. NO.	Description	Dimension (mm)	ราคา
Q280039	350V URGJ 16A	17.5 X 25	
R280040	350V URGJ 20A		
S280041	350V URGJ 25A		
T280042	350V URGJ 32A		
V280043	350V URGJ 40A		
W280044	350V URGJ 50A		
X280045	350V URGJ 63A		
Y280046	350V URGJ 80A		
Z280047	350V URGJ 100A		
A280048	350V URGJ 125A		23 X 29
B280049	350V URGJ 160A		
C280050	350V URGJ 200A	31 X 30	
D280051	350V URGJ 250A		
E280052	350V URGJ 315A		



Part. NO.	Description	Dimension (mm)	ราคา
Y280069	660V URGJ 25A	17.5 X 46	
Z280070	660V URGJ 32A		
A280071	660V URGJ 40A		
B280072	660V URGJ 50A		
C280073	660V URGJ 63A		
D280074	660V URGJ 80A		
E280075	660V URGJ 100A	23 X 50	
F280076	660V URGJ 125A		
G280077	660V URGJ 160A	31 X 51	
H280078	660V URGJ 200A		
J280079	660V URGJ 250A		
K280080	660V URGJ 315A	37 X 51	
L280081	660V URGJ 350A		
M280082	660V URGJ 400A		
N280083	660V URGJ 450A		

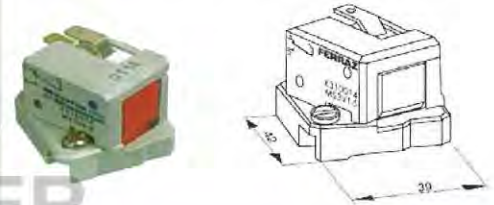


Part. NO.	Description	Dimension (mm)	ราคา
L1014563	690V CP GR 1A	10 X 38	330.-
N1014565	690V CP GR 1.25A		
P1014566	690V CP GR 1.5A		
Q1014567	690V CP GR 2A		
T1014570	690V CP GR 2.5A		
V1014571	690V CP GR 3A		
W1014572	690V CP GR 4A		
X1014573	690V CP GR 5A		
Y1014574	690V CP GR 6A		
Z1014575	690V CP GR 8A		
A1014576	690V CP GR 10A		
C1014578	690V CP GR 12A		
D1014579	690V CP GR 16A		
E1014580	690V CP GR 20A		
F1014581	690V CP GR 25A		
G1014582	690V CP GR 30A		
H1014583	690V CP GR 32A		



Nominal voltage IEC (VAC)	Nominal voltage USA (VAC)	Current rating (A)	End contacts	French knife standard	Din 80 German standard	Din 110 German standard	KI American standard	LI American standard
660	700	50	S300373	R300372	F301926	G301191	E301925	A301921
660	700	63	M300000	H300088	E300108	Q300118	B300128	M300138
660	700	80	S300051	J300089	F300109	R300119	C300129	N300139
660	700	100	T300052	K300090	G300110	S300120	D300130	P300140
660	700	125	V300053	L300091	H300111	T300121	E300131	Q300141
660	700	160	W300054	M300092	J300112	V300122	F300132	R300142
660	700	200	X300055	N300093	K300113	W300123	G300133	S300143
660	700	250	Y300056	P300094	L300114	X300124	H300134	T300144
660	700	315	Z300057	Q300095	M300115	Y300125	J300135	V300145
660	700	350	A300058	R300096	N300116	Z300126	K300136	W300146
660	700	400	B300059	S300097	P300117	A300127	L300137	X300147
660	700	450	V300398		A300403	S300695	T301064	K300527
660	700	500	W300399		B300404	Y301091	V301065	L300528
660	700	550	X300400		C300405	Z301092	W301066	M300529
660	700	630						P302003
Packaging			3	3	3	3	3	3

MICROSWITCHES
MICROSWITCHES FOR PSC 30
INDICATION SYSTEMS FOR PSC FUSE SIZES 30



Reference No.	Designation	Pack	ราคา (บาท)
X310014	MS 3V 1-5	1	1,480.-

SEMICONDUCTOR PROTECTION FUSES



Current rating (A)	References PV 000 with blown fuse	References D08L 000 blown fuse	References PV 00 with blown fuse	References D08L 00 blown fuse
16	P320035	X330277		S330273
20	R320037	J330173	A320137	S330227
25	T320039	K330174	C320139	T330228
32	Y320043	L330175	G320143	V330229
40	C320047	M330176	L320147	W330230
50	G320051	N330177	Q320151	X330231
63	L320055	P330178	V320155	Y330232
80	Q320059	T330182	Z320159	Z330233
100	V320063	V330183	D320163	A330234
125	X320065	W330184	F320165	B330235
160	B320069	X330185	K320169	C330236
200	D320071	Y330186	M320171	H330241
250	H320075	Z330187	R320175	J330242
315	M320079	A330188	W320179	K330243
350		B330189		L330244
400		F330193		M330245
450				N330246



250GH - 35
250V 35A



25FH75
250V 75A



660GHX125
660V 125A



600FHM55S
600V 55A



50SHA60S
500V 60A



600FHM75
600V 75A



600FHM110
600V 110A



600FHM235S
600V 235A



50SHB100
500V 100A



50SHB150
500V 150A



50SHB200
500V 200A



600FHM55
600V 55A



500GAR75
500V 75A



500GAR300
500V 300A



1000FH - 175
1000V 175A



1000FH - 80S
1000V 80A



250GH 250V
350GH 350V



660GH
660V



1000GH
1000V



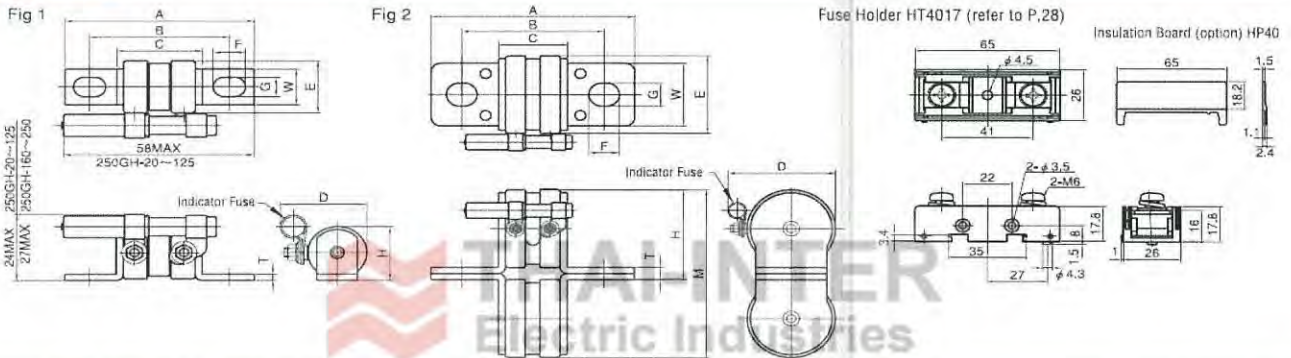
AMS-3B/3BT/01B

AMS-7B

MICROSWITCHES
Standard Model

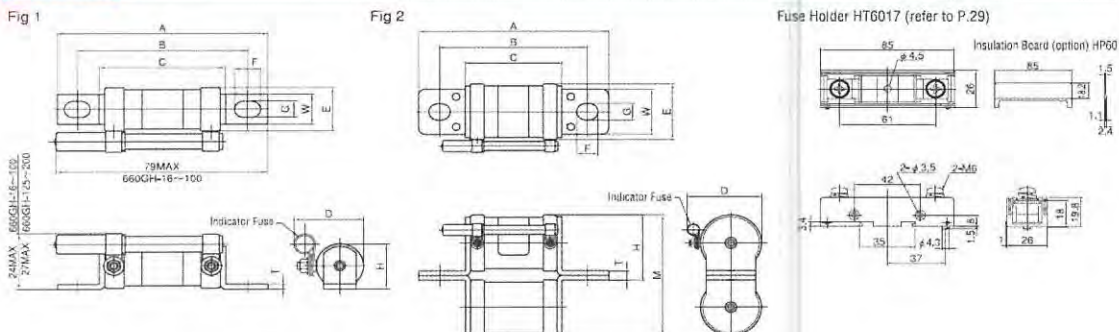
Type	Rated Amperage (A)	Fusing I ² t (A ² S)	Shutdown I ² t (A ² S) at AC250V-100KA	Shutdown I ² t (A ² S) at AC350V-100KA	Power Loss (W)	Dimensions (mm)										Weight (g)	Fig	Standard Approved	
						A	B	C	D	E	F	G	H	W	T				M
350GH-16UL	16	20	230	430	1.5	55	41±3	25	27max	17.5	9.5	6.5	19	12	2	—	27	1	UL CCC*
350GH-20UL	20	35	370	680	1.7														
350GH-25UL	25	55	530	980	2.1														
350GH-32UL	32	80	720	1310	3.0														
350GH-40UL	40	142	1150	2090	3.6														
350GH-50UL	50	222	1650	3000	4.7														
350GH-63UL	63	370	2220	4010	6.9														
350GH-80UL	80	568	3540	6390	8.2														
350GH-100UL	100	888	5090	9150	10.0														
250GH-125UL	125	820	6700	—	14.0														
350GH-125UL	125	1280	6950	12280	13.0														
350GH-160UL	160	2275	10950	19540	17.5														
350GH-200UL	200	3555	15740	28000	24.0														
250GH-250UL	250	3300	23000	—	34.0														
350GH-250	250	6480	25670	45450	24.0														
250GH-315UL	315	6000	43000	—	35.0														
350GH-315	315	8000	30470	53660	41.0														
250GH-350UL	350	7400	52000	—	45.0														
250GH-400	400	11000	75000	—	45.0														
250GH-450	450	13500	92000	—	50.0														
250GHW500	500	24000	160000	—	50.0														
250GHW630	630	30000	205000	—	65.0														
250GHW710	710	43000	280000	—	70.0														
250GHW800	800	53000	355000	—	80.0														
250GH-400	400	11000	75000	—	45.0	86	61±3	30	46max	37	13	11	40	30	3	—	180	2	—
250GH-450	450	13500	92000	—	50.0	86	61±3	30	46max	37	13	11	40	30	6	80	380		

Dimensions



Type	Rated Amperage (A)	Fusing I ² t (A ² S)	Shutdown I ² t (A ² S) at AC660V-100KA	Power Loss (W)	Dimensions (mm)										Weight (g)	Fig	Standard Approved	
					A	B	C	D	E	F	G	H	T	W				M
660GH-16UL	16	19	220	2.0	76	61±3	46	27max	17.5	9.5	6.5	19	2	12	—	37	1	UL CCC*
660GH-20UL	20	26	310	3.5														
660GH-25UL	25	42	440	4.0														
660GH-32UL	32	74	770	6.0														
660GH-40UL	40	100	1100	7.0														
660GH-50UL	50	167	1600	9.0														
660GH-63UL	63	300	2700	12.0														
660GH-80UL	80	400	3800	17.0														
660GH-100UL	100	670	7400	22.0														
660GH-125UL	125	1200	10600	25.0														
660GH-160UL	160	2100	18000	35.0	98	77±4	50	30max	23	14	9	26	3	20	—	100		
660GH-200UL	200	3300	29000	40.0	108	82±4	51	51max	31	16	10.5	34	3	25	—	180	—	—
660GH-250UL	250	6000	49500	50.0														
660GH-315UL	315	7400	63000	80.0														
660GH-350	350	11000	92000	70.0	107	81±3	51	51max	37	13	11	40	3	30	—	260	—	—
660GH-400	400	14000	112000	85.0														
660GH-450	450	24000	210000	85.0	107	81±3	51	51max	37	13	11	43	6	30	80	530	2	—
660GH-500	500	29000	270000	95.0														
660GH-630	630	42000	390000	105.0														
660GH-710	710	51000	460000	115.0														

Dimensions



250GAR / 500GAR

Fast acting fuse - For protection of semiconductor devices

Features

- ◇ Center blade type
- ◇ High breaking capacity (Over 50kA)
- ◇ Large current ratings up to 800A

Specifications

<250GAR>

Rated voltage & breaking capacity: AC250V-50kA
DC200V (L/R5ms) -50kA

Maximum arc voltage: 550V

<500GAR>

Rated voltage & breaking capacity: AC500V-50kA
DC400V (L/R5ms) -50kA

Maximum arc voltage: 1150V



Type	Rated Amperage (A)	Fusing I ² t (A ² S) Note 1	Shutdown I ² t (A ² S) Note 2	Power Loss (W) Note 3	Dimensions (mm)							Weight (g)
					A	B	C	φE	W	T	φD Note 3	
250GAR50	50	150	1,100	4.0	80	59	38	32	22	4	10 (M8)	150
250GAR75	75	350	2,600	6.3								
250GAR100	100	620	4,600	8.5								
250GAR150	150	1,400	10,000	15.0								
250GAR200	200	2,400	17,000	21.0	80	59	38	36	26	5	10 (M8)	200
250GAR250	250	3,100	22,000	26.0								
250GAR300	300	5,600	42,000	28.0	98	71	38	45	32	8	11 (M10)	370
250GAR400	400	8,600	65,000	40.0								
250GAR500	500	13,000	97,000	46.0								
250GAR600	600	22,000	160,000	49.0								
250GAR800	800	63,000	460,000	53.0	98	71	38	60	46	13	13 (M12)	750
500GAR30	30	90	700	4.2	112	91	60	36	26	5	10 (M8)	250
500GAR50	50	240	1,800	8.0								
500GAR75	75	540	4,200	12.0								
500GAR100	100	960	7,000	16.0								
500GAR150	150	2,100	18,000	22.0								
500GAR200	200	3,900	35,000	28.0	120	93	60	45	32	8	11 (M10)	440
500GAR250	250	7,000	50,000	40.0								
500GAR300	300	8,600	70,000	47.0								
500GAR400	400	17,000	150,000	47.0								
500GAR500	500	22,000	190,000	60.0	120	93	60	50	35	8	11 (M10)	530
500GAR600	600	41,000	370,000	64.0								
500GAR800	800	93,000	850,000	85.0								

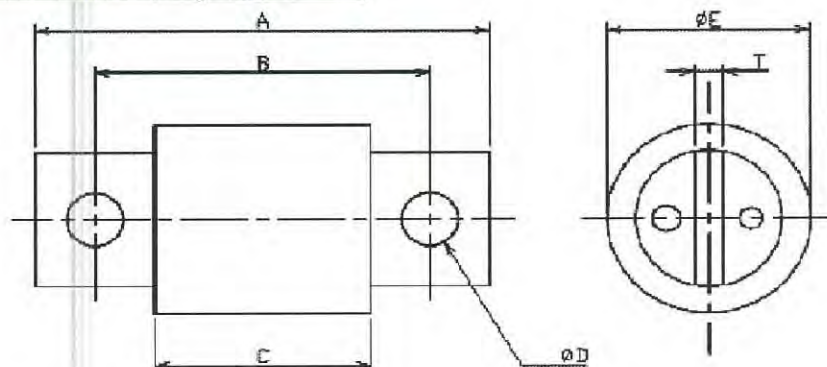
Note 1: Fusing I²t are calculated values.

Note 2: Shutdown I²t of 250GAR:250V and 500GAR:500V are the values at the rated voltage.

Note 3: (M**) Recommended installation screw

Please consult us for RoHS compliancy.

Dimensions (mm)





PROXIMITY SENSORS

Series PS & PM
DC 3 WIRE , AC 2 WIRE



PROXIMITY SENSORS

Series TW
DC 2 WIRE



PROXIMITY SENSORS

Capacitive
Series CP



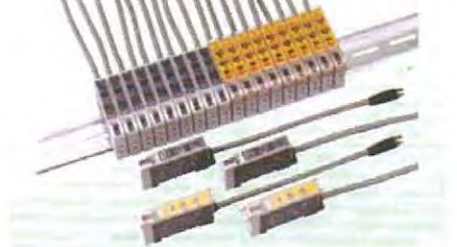
PHOTO SENSORS

DC Volt - CDR , CDM , CDT
AC Volt - CAR , CAM



PHOTO SENSORS

Series K2



Fiber optic & Amplifier

Series MF / FF
Series MF with Auto Tunning



PHOTO SENSORS

Series E3 , M3



PHOTO SENSORS

AC / DC Voltage
Series A3



PHOTO SENSORS

R18 , M18 , T18



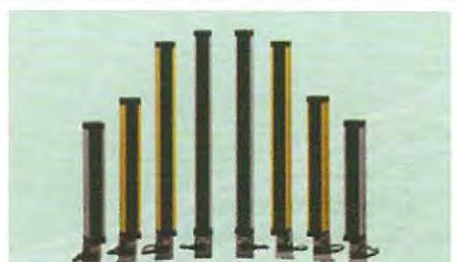
MAGNETIC REED SWITCH

Series FC1 , FC2 , FC3



PHOTO SENSORS

Series MR



PRESS - SAFE GUARD

BEAM SENSORS
Series LC / NA



**TEMPERATURE
FUZZY PID CONTROLLER**
Series MT



TEMPERATURE
Series TC



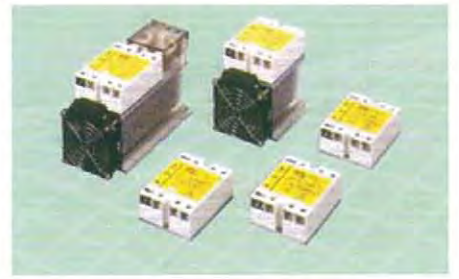
**SOLID STATE MODULE
FUSE TYPE**
Series SSR - F



SOLID STATE RELAYS
Series SSR & TSR



SOLID STATE RELAYS
High Power Single Phase
Series HPR



SOLID STATE MODULE
High Power Three Phase
Series ESR



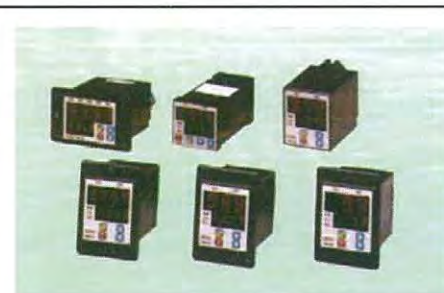
DIGITAL POWER REGULATORS
Series DSC / TSC / EPS
S.C.R



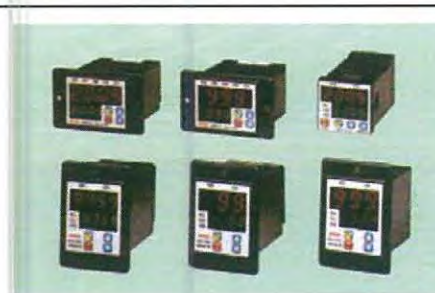
TIMER / TWIN TIMER
Series H3
Series TDVN - M , TDVY - M



TIMER
Series SY / H5T / STP / H5M



TIMER
Series TM
Digital Timer Power ON delay



TIMER
Series TMP
Digital Timer Multifunction



TIMER
Series MY



COUNTER
SINGLE PRESET , DUAL PRESET
Series HC



COUNTER
MULTI FUNCTION COUNTER
Series SC



TACHO & LINE SPEED METERS
Series SM



METERS
MULTI FUNCTION COUNTER
Series MC



VOLTAGE METERS
Series AC , DC



COUNTER
DIGITAL COUNTER
Series MC

THAI-INTER
Electric Industries



ROTARY ENCODER
Series MAT , MES , MET



ROTARY ENCODER
WHEEL TYPE
Series WE



PADDLE WHEEL FLOW SENSOR
Series KT



FLOATLESS LEVEL RELAY
Series FR1 - H



VOLTAGE & PHASE RELAY
Series PVR3 , PR1



SENSOR CONTROLLERS
Series C

SEF Surface Mount
2.6 X 6.1 MM.
65V / 125V

SET Surface Mount
2.6 X 6.1 MM.
125V

04CF Chip Fuse
0.95 X .048 MM.
32V VERY FAST

06CF Chip Fuse
1.55 X 0.8 MM.
32V VERY FAST

12CP Chip Fuse
3.1 X 1.6 MM.
63V VERY FAST

R30
Resettable Fuses

R60
Resettable Fuses

VLD
Resettable Fuses
16VDC

HMD
Resettable Fuses
15VDC / 24VDC

HPD
Resettable Fuses
15VDC / 20VDC

mSMD (1812)
Resettable Fuses

nSMD (1206)
Resettable Fuses

SMD (2920)
Resettable Fuses

CQ - 200PT
5 X 20 MM.
250V

CQ - FH187
5 X 20 MM.
250V

CQ - 206
5 X 20 MM.
250V

CQ - 206D
5 X 20 MM.
250V

CQ - 200C
5 X 20 MM.
250V

CQ - 200CT
5 X 20 MM.
250V

CQ - 2008
5 X 20 MM.
250V

CQ - 207TU
6 X 32 MM.
250V

CQ - 207D
6 X 32 MM.
250V

CQ - 201N
6 X 32 MM.
250V

CQ - 201N - A
6 X 32 MM.
250V

CQ - 219D
5 X 20 MM.
In - Line Fuse Holder

CQ - 05CT
For 5 MM Dia.

CQ - 203H
For 5 MM Dia.

CQ - 205S
For 6.3 MM Dia.

CQ - 216
For 10.3 MM Dia.

CQ - 215
For 10.3 X 38 MM.

Slogen " Safety for Your Life "



SGS
4.5 X 14.5 MM.
250V FAST



SDL
4.5 X 14.5 MM.
250V TIME-LAG



SCF เซรามิค
4.5 X 14.5 MM.
250V FAST



SCD เซรามิค
4.5 X 14.5 MM.
250V TIME-LAG



ABB เซรามิค
6 X 32 MM.
500V Fast Acting



GFE
5 X 20 MM.
250V FAST



GTE
5 X 20 MM.
250V TIME



GSL
5 X 20 MM.
250V SLOW-BLOW



GBM เซรามิค
5 X 20 MM.
250V FAST



GDA เซรามิค
5 X 20 MM.
250V TIME



AFE
6 X 32 MM.
250V FAST



ATE
6 X 32 MM.
250V TIME



ADL
6 X 32 MM.
250V SLOW-BLOW



ABE เซรามิค
6 X 32 MM.
250V FAST



ADA เซรามิค
6 X 32 MM.
250V TIME



PGS
3.6 X 10 MM.
250V FAST



PDS
3.6 X 10 MM.
250V TIME



PBS เซรามิค
3.6 X 10 MM.
250V FAST



PTS เซรามิค
3.6 X 10 MM.
250V TIME



CBC European Car
6 X 25 MM.
32V



MEF
Radial Lead Micro
250V FAST ACTING



MET
Radial Lead Micro
250V TIME LAG



MSF
Radial Lead Micro
250V FAST ACTING



MST
Radial Lead Micro
250V TIME LAG



MET
Micro Fuse Holder



PSP
2.8 X 7.1 MM.
125V TIME LAG



PMP
3.18 X 7.1 MM.
250V SLOW BLOW



CQ - 223
Fuse Puller
Glass and ATQ Fuse



ATQ Terminal Car
Transparent Body
32V



MST
Micro Fuse Holder

Slogen " Safety for Your Life "



AJT



A4J



A4BQ



A4BY



A4BT



OT
OTN
OTS



TR
TRS



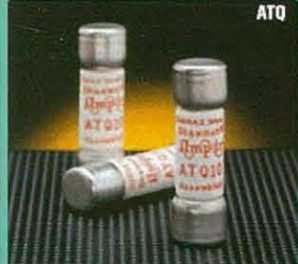
A2D
&
A6D



A2K
&
A6K



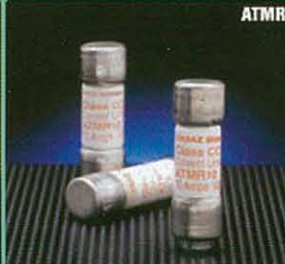
HSRK



ATQ



ATDR & ATQR



ATMR



A3T
&
A6T



CP
&
CPH



A4BX



A2T
A6T



A240T
A480T
A500T
A720T



A240R
A480R



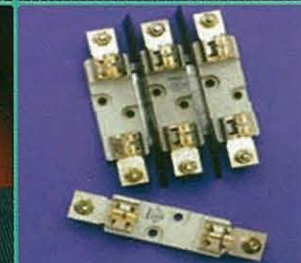
SBS



FSM



NH



**Ferraz
Shawmut**
Mersen

Emergency Service Hotlines - 7 days a week, 24 hours a day.



0 8 9 2 0 0 9 0 2 1